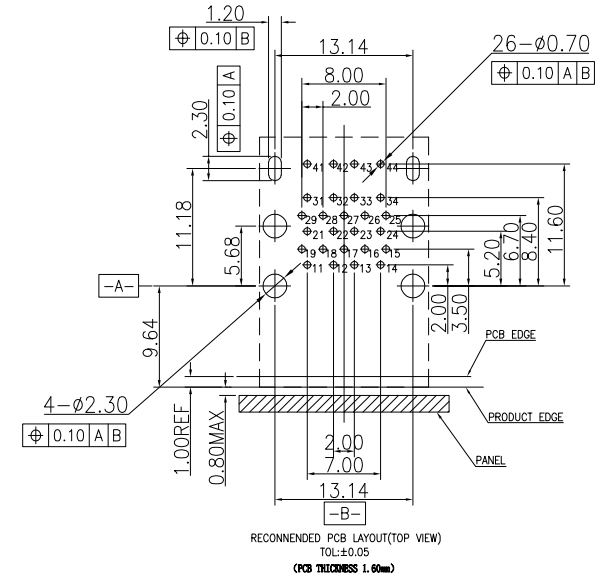
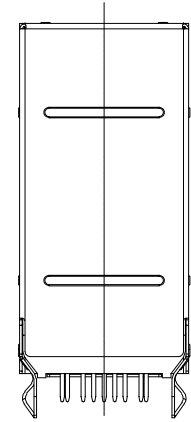
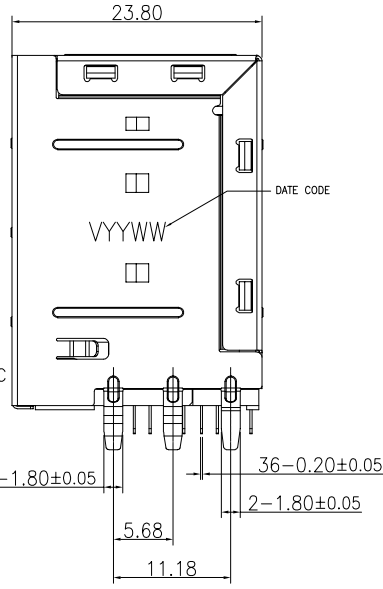
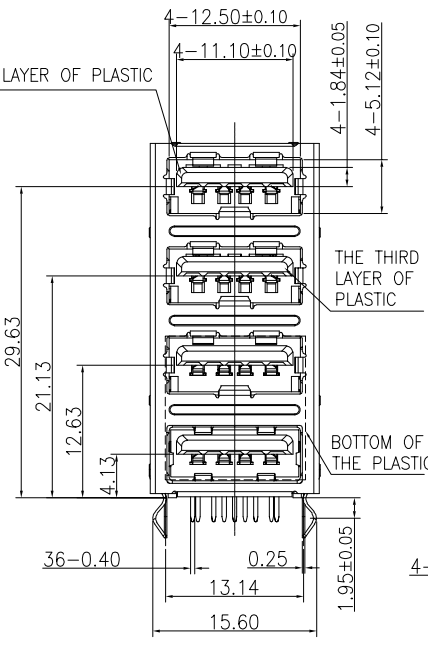
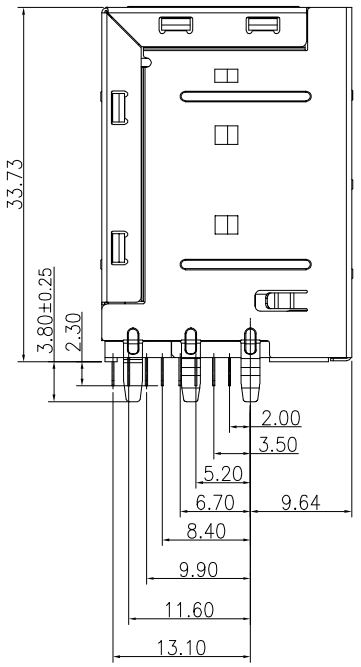
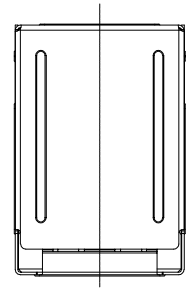
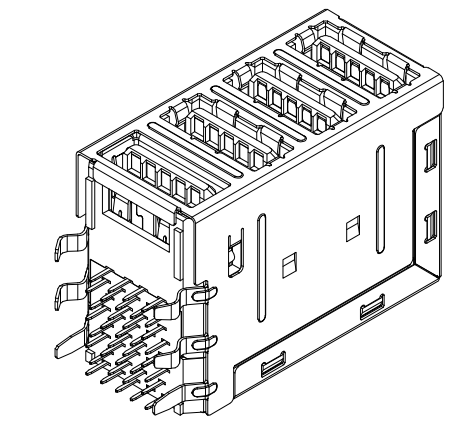


REV.	ECN NO.	MODIFY MATTER	DATE	APPROVED
A		RELEASE TO PRODUCTION		

# EAST-USB3D45S-1BBKR

- D: DIP
- S: SMT
- S: 不锈钢
- C: 铜壳镀镍
- BK: 黑色
- BE: 蓝色300C
- P: PA66
- B: PBT
- L: LCP
- 1: 半金1u"
- 8: 半金15u"

- NOTES:
- MATERIAL:
    - 1.1 BOTTOM OF THE PLASTIC: PA66+30%G.F, UL 94V-0,COLOR:BLUE 300C;
    - 1.2 THE THIRD LAYER OF PLASTIC : BLUE 300C;
    - 1.3 THE FOURTH LAYER OF PLASTIC : BLUE 300C;
    - 1.4 SPCCER:LCP UL 94V-0,COLOR:BLACK
    - 1.5 CONTACT: BRASS C2680 (T=0.20mm)
    - 1.6 FRONT SHELL:SUS304 (T=0.25mm)
    - 1.7 BACK SHELL:SUS304 (T=0.25mm)
    - 1.8 IN SHELL:SUS304 (T=0.30mm)
  - FINISH:
    - 2.1 CONTACT: SEE P/N.
    - 2.2 FRONT SHELL:NI 30u" TIN 50u" PLATING OVERALL.
    - 2.3 BACK SHELL:NON PLATING
    - 2.4 IN SHELL:NON PLATING
  - MECHANICAL CHARACTERISTICS:
    - 3.1 MATING FORCE: 35N MAX.
    - 3.2 UNMATING FORCE: 10N MIN.
    - 3.3 DURABILITY: 1500 CYCLE.
  - P/N DESCRIPTION:



USB3.0 Pin Assignments

Pin Number	41	42	43	44					
Pin Number	31	32	33	34					
Pin Number	21	22	23	24					
Pin Number	11	12	13	14	25	26	27	28	29
Signal Name	VBUS	D-	D+	GND	15	16	17	18	19
Remark	USB2.0 Contac Pin	STDA_SSRX-	STDA_SSRX+	GND_DRAIN	STDA_SSTX-	STDA_SSTX+			

TOLERANCES UNLESS OTHERWISE SPECIFIED:  
 X. ---  
 X.X ± 0.38  
 X.XX ± 0.25  
 X.XXX ± 0.10  
 Angle ± 1°

THESE DRAWING AND SPECIFICATION ARE THE PROPERTY OF Shenzhen Dongfangyuye ELECTRONIC CO., LTD. SHALL NOT BE REPRODUCED.

COSTOMER COPY	
DRAWN:	2017/09/10
CHECKED:	2017/09/10
APPROVED:	2017/09/10

**深圳市东方御业科技有限公司**  
 WWW.DFYCONN.COM TEL:0755-27155560

TITIAL: USB 3.0 X 2PORT + USB 2.0 X 2PORT CONN. (RoHS)

PART NO: EAST-USB3D45S-1BBKR

UNIT: mm SCALE: N/A SHEEL: 1:1 REV.